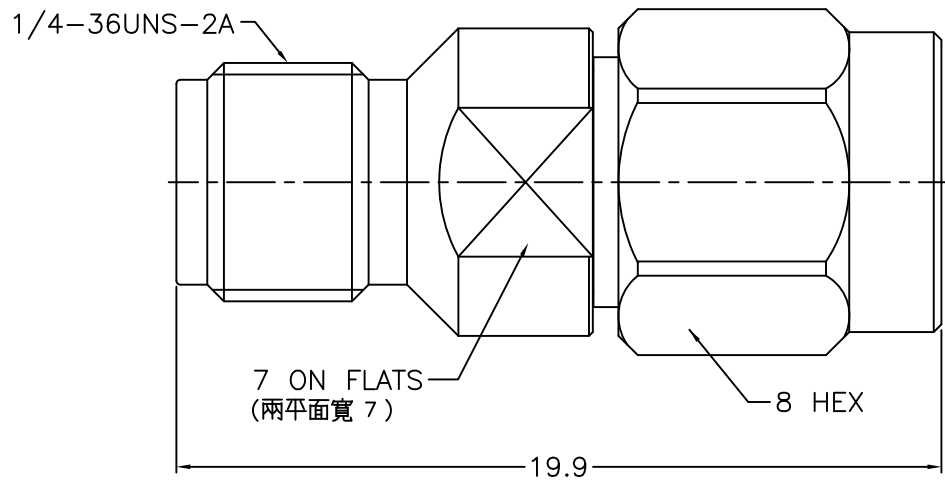


1	2		3	4	5	6	7	8
REVISIONS								
ISS	ZONE	DESCRIPTION\PER REQUEST\DATE						



- NOTES: FINISH (PLATING THICKNESS IN MICRO-INCHES)
- BRASS
 - BERYLLIUM COPPER
 - STAINLESS STEEL
 - PASSIVATED
 - NICKEL PL. 100 MIN. THICK OVER COPPER PL. 50 MIN. THICK
 - GOLD PL. 10 MIN. THICK OVER NICKEL PL. 50 MIN. THICK OVER COPPER PL. 50 MIN. THICK
 - ULTEM 1000

RoHS COMPLIANT

7		SHELL	NOTE 3	NOTE 4			DIMENSIONS ARE IN MILLIMETERS		PART NO.		G.L.I.			
6		RETAINER RING	NOTE 2	NOTE 5			UNLESS OTHERWISE SPECIFIED TOLERANCES 0.5-6 = ±0.2 6-30 = ±0.4 30-120 = ±0.6 120-315 = ±1 315-1000 = ±1.6 1000-2000 = ±2.4		APPROVED				DATE	
5		BODY	NOTE 3	NOTE 4					CHECKED		DATE		TITLE	
4		BODY	NOTE 3	NOTE 4					DRAWN		DATE		DRAWING NO.	
3		RING	NOTE 1	NOTE 5					ALAN		04-28-'20		35-5071S2-50	
2		INSULATOR	NOTE 7	NATURAL			SCALE		5/1		ISSUE			
1		CONTACT PIN	NOTE 2	NOTE 6			1		04-28-'20		FILE NO. R:\D\DWG\35\5071S2\50			
NO.	DESCRIPTION	MATERIAL	FINISH	Q'TY	DRAWING NO.	SCALE	5/1	ISSUE	1					

1	2		3	4	5	6	7	8
---	---	--	---	---	---	---	---	---