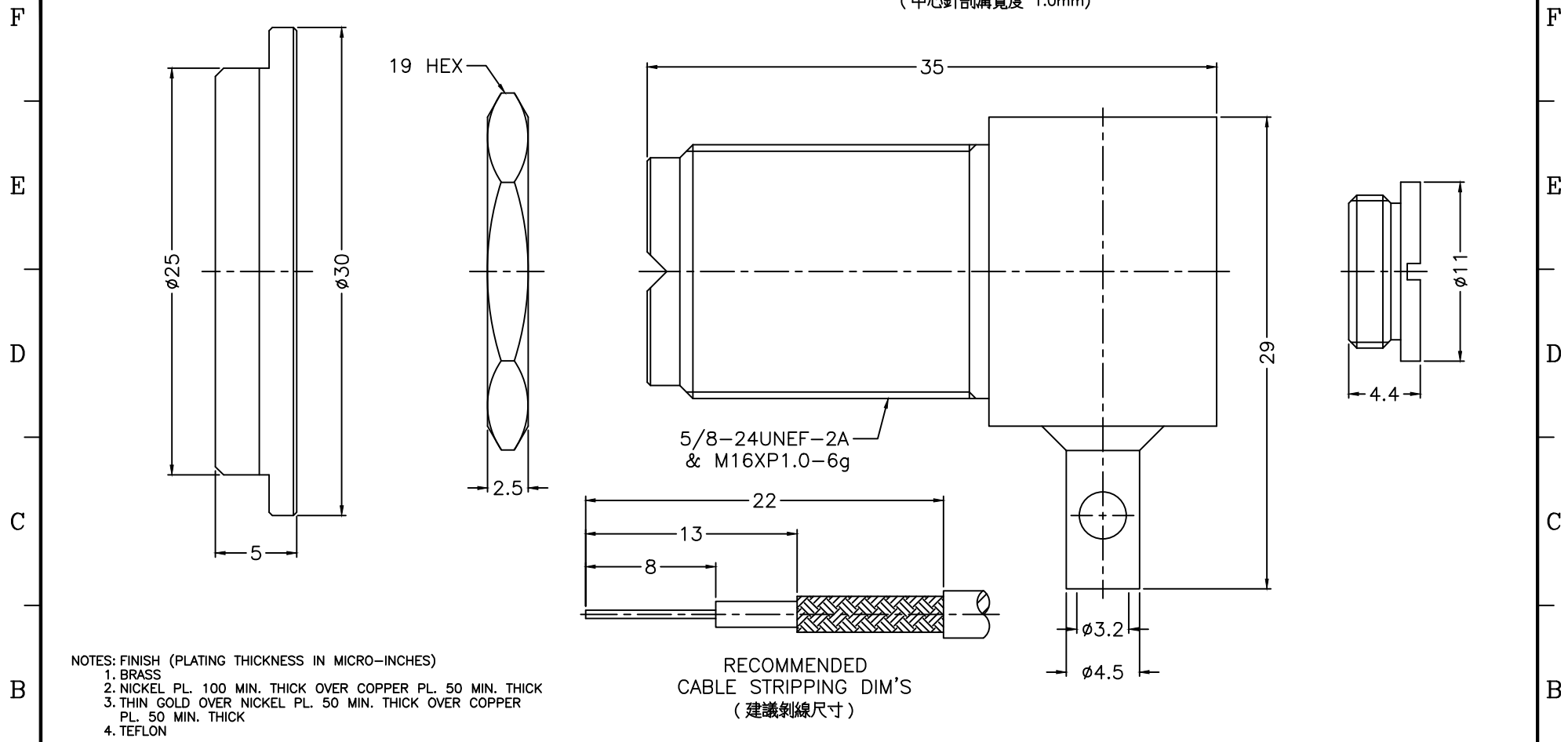


1 2 3 4 5 6 7 8

REVISIONS		
ISS	ZONE	DESCRIPTION\PER REQUEST\DATE
A1	F-5	ADDED REMARK\N/A\11-15-'13

REMARK : CONTACT PIN'S WIDTH OF SLOT : 1.0mm
(中心針剖溝寬度 1.0mm)



NOTES: FINISH (PLATING THICKNESS IN MICRO-INCHES)
 1. BRASS
 2. NICKEL PL. 100 MIN. THICK OVER COPPER PL. 50 MIN. THICK
 3. THIN GOLD OVER NICKEL PL. 50 MIN. THICK OVER COPPER PL. 50 MIN. THICK
 4. TEFLON

RECOMMENDED
CABLE STRIPPING DIM'S
(建議剝線尺寸)

					DIMENSIONS ARE IN MILLIMETERS			PART NO.		G.L.I.	
					UNLESS OTHERWISE SPECIFIED TOLERANCES			APPROVED	DATE		
7	NUT	NOTE 1	NOTE 2	1	0.5-6 = ±0.2				11-15-'13	UHF R/A SOLDER JACK (FOR 1.5D-2V, RG-174, 316 CABLE)	
6	HEX NUT	NOTE 1	NOTE 2	1	6-30 = ±0.4						
5	COVER	NOTE 1	NOTE 2	1	30-120 = ±0.6			CHECKED	11-15-'13	DRAWING NO.	
4	CONTACT PIN	NOTE 1	NOTE 3	1	120-315 = ±1					600-6182A1-02-50	
3	INSULATOR	NOTE 4	NATURAL	1	315-1000 = ±1.6			DRAWN	11-15-'13	FILE NO.	
2	BARREL	NOTE 1	NOTE 2	1	1000-2000 = ±2.4					R:\D\G\DWG\600\6182A1\02\50	
1	BODY	NOTE 1	NOTE 2	1							
NO.	DESCRIPTION	MATERIAL	FINISH	Q'TY	DRAWING NO.	SCALE	3/1	ISSUE	A1		

1 2 3 4 5 6 7 8