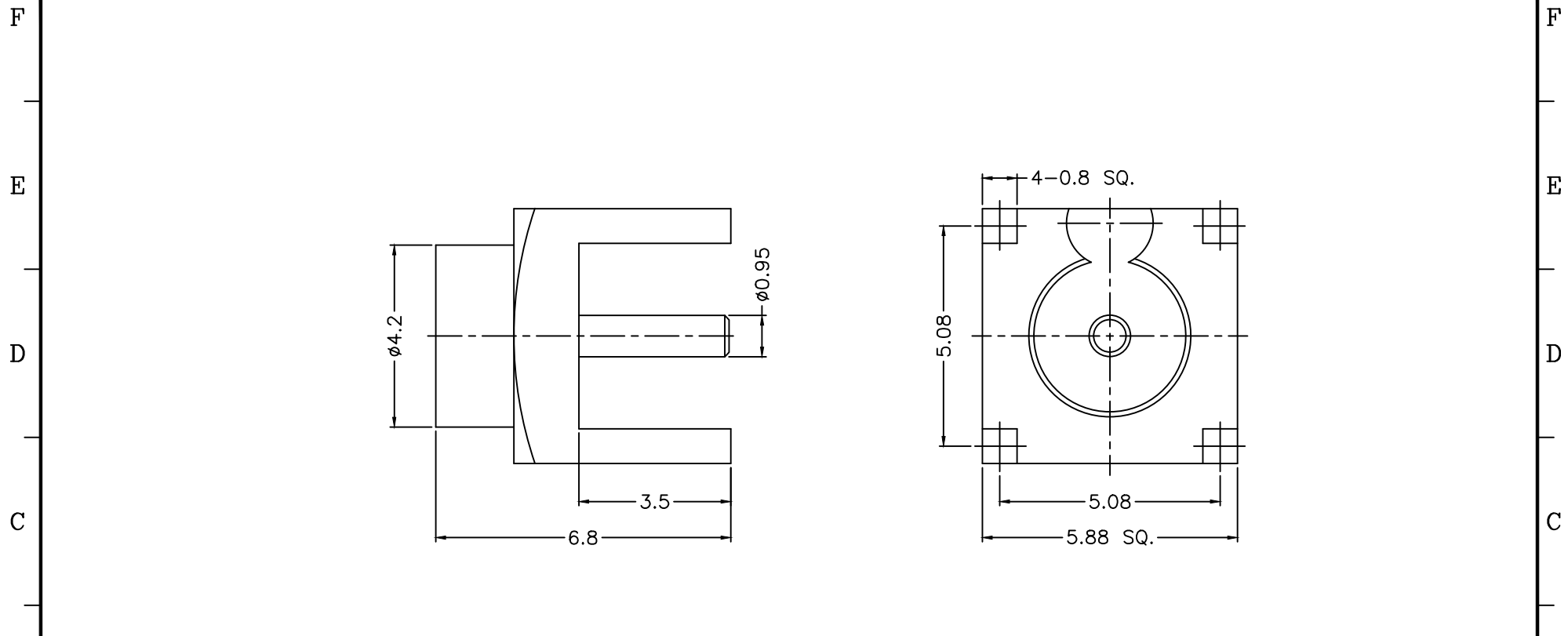


1 2 3 4 5 6 7 8

| REVISIONS | | |
|-----------|------|------------------------------|
| ISS | ZONE | DESCRIPTION\PER REQUEST\DATE |
| | | |



NOTES: FINISH (PLATING THICKNESS IN MICRO-INCHES)
 1. BRASS
 2. THIN GOLD OVER NICKEL PL. 50 MIN. THICK OVER COPPER PL. 50 MIN. THICK
 3. GOLD PL. 3 MIN. THICK OVER NICKEL PL. 50 MIN. THICK OVER COPPER PL. 50 MIN. THICK

RoHS COMPLIANT

| <table border="1"> <thead> <tr> <th colspan="6">DIMENSIONS ARE IN MILLIMETERS</th> </tr> <tr> <th colspan="6">UNLESS OTHERWISE SPECIFIED TOLERANCES</th> </tr> </thead> <tbody> <tr> <td>0.5-6</td> <td>=</td> <td>± 0.2</td> <td colspan="3"> </td> </tr> <tr> <td>6-30</td> <td>=</td> <td>± 0.4</td> <td colspan="3"> </td> </tr> <tr> <td>30-120</td> <td>=</td> <td>± 0.6</td> <td colspan="3"> </td> </tr> <tr> <td>120-315</td> <td>=</td> <td>± 1</td> <td colspan="3"> </td> </tr> <tr> <td>315-1000</td> <td>=</td> <td>± 1.6</td> <td colspan="3"> </td> </tr> <tr> <td>1000-2000</td> <td>=</td> <td>± 2.4</td> <td colspan="3"> </td> </tr> </tbody> </table> | | | | | | DIMENSIONS ARE IN MILLIMETERS | | | | | | UNLESS OTHERWISE SPECIFIED TOLERANCES | | | | | | 0.5-6 | = | ± 0.2 | | | | 6-30 | = | ± 0.4 | | | | 30-120 | = | ± 0.6 | | | | 120-315 | = | ± 1 | | | | 315-1000 | = | ± 1.6 | | | | 1000-2000 | = | ± 2.4 | | | | PART NO. | | G.L.I. | |
|--|---|-------------|--|-----------------------------------|--|-------------------------------|--|--|--|--|--|---------------------------------------|--|--|--|--|--|-------|---|-----------|--|--|--|------|---|-----------|--|--|--|--------|---|-----------|--|--|--|---------|---|---------|--|--|--|----------|---|-----------|--|--|--|-----------|---|-----------|--|--|--|----------|--|---------------|--|
| | | | | | | DIMENSIONS ARE IN MILLIMETERS | | | | | | | | | | | | | | | | | | | | | | | | | | | | | | | | | | | | | | | | | | | | | | | | | | | |
| UNLESS OTHERWISE SPECIFIED TOLERANCES | | | | | | | | | | | | | | | | | | | | | | | | | | | | | | | | | | | | | | | | | | | | | | | | | | | | | | | | | |
| 0.5-6 | = | ± 0.2 | | | | | | | | | | | | | | | | | | | | | | | | | | | | | | | | | | | | | | | | | | | | | | | | | | | | | | | |
| 6-30 | = | ± 0.4 | | | | | | | | | | | | | | | | | | | | | | | | | | | | | | | | | | | | | | | | | | | | | | | | | | | | | | | |
| 30-120 | = | ± 0.6 | | | | | | | | | | | | | | | | | | | | | | | | | | | | | | | | | | | | | | | | | | | | | | | | | | | | | | | |
| 120-315 | = | ± 1 | | | | | | | | | | | | | | | | | | | | | | | | | | | | | | | | | | | | | | | | | | | | | | | | | | | | | | | |
| 315-1000 | = | ± 1.6 | | | | | | | | | | | | | | | | | | | | | | | | | | | | | | | | | | | | | | | | | | | | | | | | | | | | | | | |
| 1000-2000 | = | ± 2.4 | | | | | | | | | | | | | | | | | | | | | | | | | | | | | | | | | | | | | | | | | | | | | | | | | | | | | | | |
| APPROVED | | DATE | | | | | | | | | | | | | | | | | | | | | | | | | | | | | | | | | | | | | | | | | | | | | | | | | | | | | | | |
| CHECKED | | DATE | | TITLE | | | | | | | | | | | | | | | | | | | | | | | | | | | | | | | | | | | | | | | | | | | | | | | | | | | | | |
| DRAWN | | DATE | | SMP PCB MOUNT LIMITED DETENT PLUG | | | | | | | | | | | | | | | | | | | | | | | | | | | | | | | | | | | | | | | | | | | | | | | | | | | | | |
| DRAWING NO. | | DRAWING NO. | | SMP-1251P1-50 | | | | | | | | | | | | | | | | | | | | | | | | | | | | | | | | | | | | | | | | | | | | | | | | | | | | | |
| FILE NO. | | FILE NO. | | R:\D\G\DWG\SMP\1251P1\50 | | | | | | | | | | | | | | | | | | | | | | | | | | | | | | | | | | | | | | | | | | | | | | | | | | | | | |

| 3 | CONTACT PIN | NOTE 1 | NOTE 3 | 1 | SMP-1251P1-3 |
|-----|-------------|----------|---------|------|--------------|
| 2 | INSULATOR | PEEK | NATURAL | 1 | SMP-1251P1-2 |
| 1 | BODY | NOTE 1 | NOTE 2 | 1 | SMP-1251P1-1 |
| NO. | DESCRIPTION | MATERIAL | FINISH | Q'TY | DRAWING NO. |

1 2 3 4 5 6 7 8

A

A