

		1		2		3		4		5		6		7		8	
REVISIONS																	
ISS	ZONE	DESCRIPTION\PER REQUEST\DATE															

F

F

E

E

D

D

C

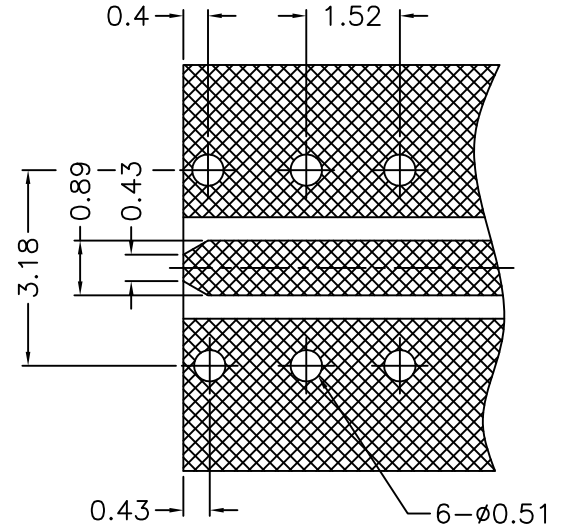
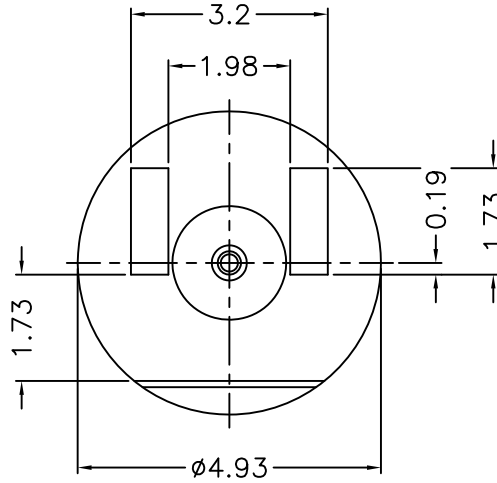
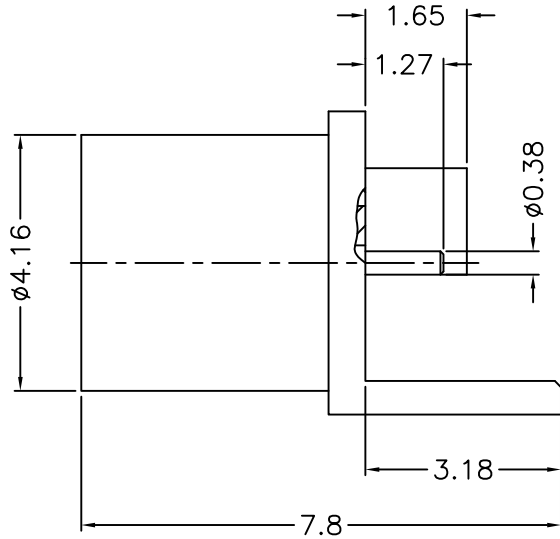
C

B

B

A

A



RECOMMENDED PCB LAYOUT

NOTES: FINISH (PLATING THICKNESS IN MICRO-INCHES)

1. BERYLLIUM COPPER
2. GOLD PL. 3 MIN. THICK OVER NICKEL PL. 50 MIN. THICK OVER COPPER PL. 50 MIN. THICK
3. GOLD PL. 30 MIN. THICK OVER NICKEL PL. 50 MIN. THICK OVER COPPER PL. 50 MIN. THICK
4. TEFLON

RoHS COMPLIANT

						DIMENSIONS ARE IN MILLIMETERS				PART NO.				<b>G.L.I.</b>			
						UNLESS OTHERWISE SPECIFIED TOLERANCES				APPROVED							
						0.5-6 = ±0.2								12-07-'18			
						6-30 = ±0.4				CHECKED				DATE			
						30-120 = ±0.6								12-07-'18			
						120-315 = ±1				DRAWN				DATE			
						315-1000 = ±1.6								12-07-'18			
						1000-2000 = ±2.4								TITLE			
														SMP LIMITED DETENT EDGE LAUNCH PLUG			
														DRAWING NO.			
														SMP-1251S11-50			
														FILE NO.			
														R:\D\G\DWG\SMP\1251S11\50			

3	CONTACT PIN	NOTE 1	NOTE 3	1	SMP-1251S9-3
2	INSULATOR	NOTE 4	NATURAL	1	SMP-1251S9-2 -50T
1	BODY	NOTE 1	NOTE 2	1	SMP-1251S11-1
NO.	DESCRIPTION	MATERIAL	FINISH	Q'TY	DRAWING NO.

1 2 3 4 5 6 7 8