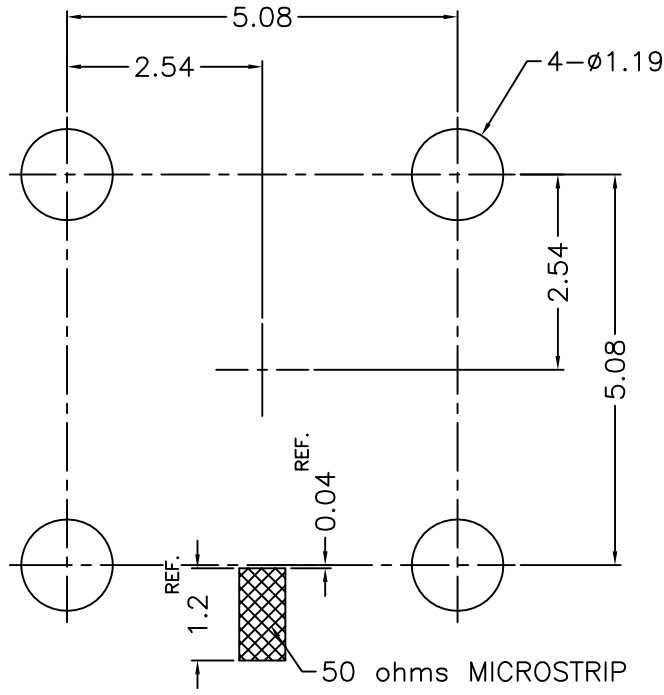
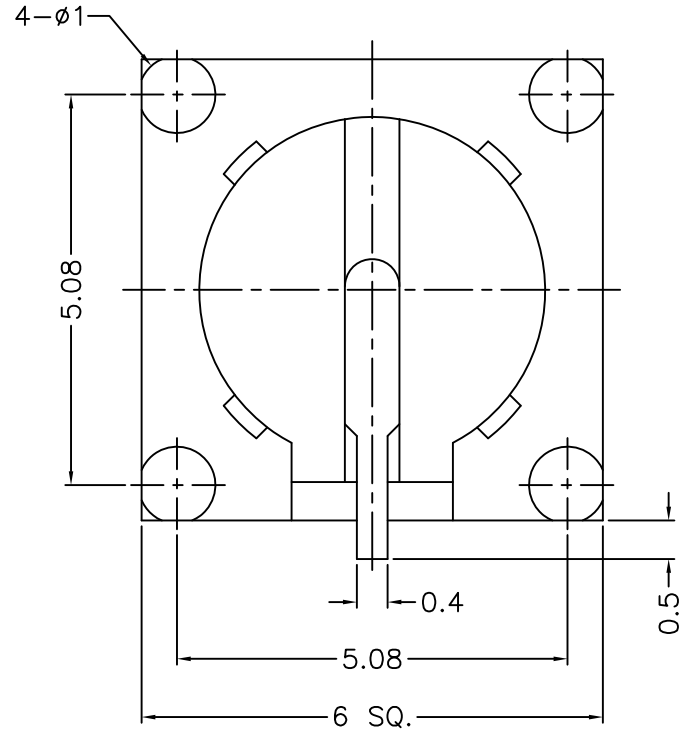
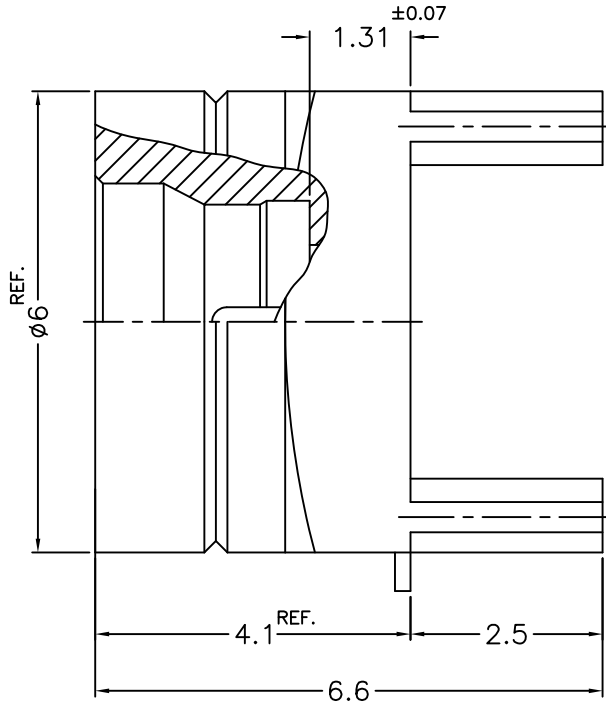


		1		2		3		4		5		6		7		8	
REVISIONS																	
ISS	ZONE	DESCRIPTION\PER REQUEST\DATE															



RECOMMENDED PCB LAYOUT  
(建議印刷電路板佈置)



- NOTES: FINISH (PLATING THICKNESS IN MICRO-INCHES)
- BRASS
  - GOLD PL. 10 MIN. THICK OVER NICKEL PL. 50 MIN. THICK OVER COPPER PL. 50 MIN. THICK
  - GOLD PL. 30 MIN. THICK OVER NICKEL PL. 50 MIN. THICK OVER COPPER PL. 50 MIN. THICK

RoHS COMPLIANT

DIMENSIONS ARE IN MILLIMETERS			
UNLESS OTHERWISE SPECIFIED TOLERANCES			
0.5-6	=	±0.2	
6-30	=	±0.4	
30-120	=	±0.6	
120-315	=	±1	
315-1000	=	±1.6	
1000-2000	=	±2.4	

PART NO.		DATE	
APPROVED		08-19-'19	
CHECKED		08-19-'19	
DRAWN		08-19-'19	

<b>G.L.I.</b>	
TITLE SMP R/A PCB MOUNT LIMITED DETENT JACK(M)	
DRAWING NO. SMP-1252S9-50	
FILE NO. R:\D\G\DWG\SMP\1252S9\50	

3	CONTACT PIN	NOTE 1	NOTE 3		
2	INSULATOR	LCP	NATURAL		
1	BODY	NOTE 1	NOTE 2		
NO.	DESCRIPTION	MATERIAL	FINISH	Q'TY	DRAWING NO.

SCALE	10/1	ISSUE	A
-------	------	-------	---